

DATA SHEET

SVL-010001

83mm LED Direction Indicator/Position Light/Daytime Running Light

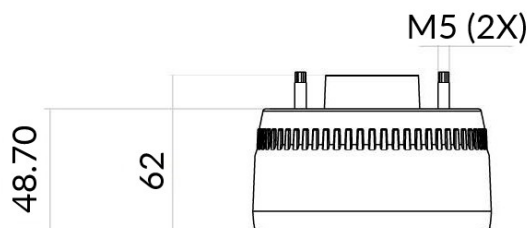
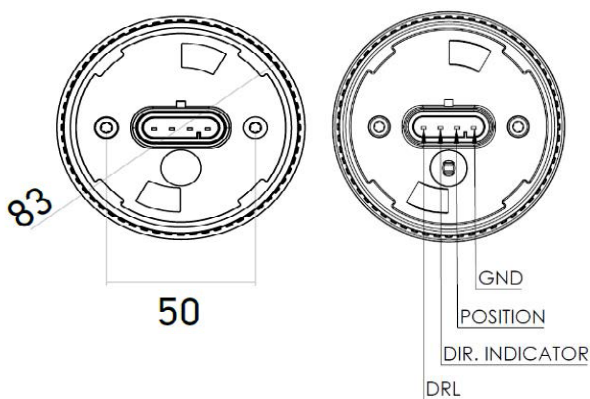
Images



Specifications

Functions:	Combined LED direction indicator/ position light / daytime running light
LEDs:	Osram
Certifications:	ECE Reg 10: Pending ECE Reg 6: E9*6R01/29*14256*00 (DI) ECE Reg 7: E9*7R02/27*14256*00 (Pos) ECE Reg 87: E9*87R00/20*14256*00 (DRL)
Dimensions:	Ø 83mm
Voltage:	9-32V
IP rating:	IP67
Operating temperature:	-20°C to +80°C
Mounting:	Rear M5 screws (maximum torque 3Nm)
Wiring:	4-pin AMP Superseal
Power rating:	DI: 7W / 9-32V Pos: 9W / 9-32V DRL: 12W / 9-32V
Reverse polarity protection:	Yes
Voltage spike protection:	Yes
Warranty:	3 years

Dimensions



Materials

Lens:	PMMA
Housing:	ABS

Part number

SVL-010001	83mm LED direction indicator, position light and daytime running light
------------	--