

# DATA SHEET

## SL-446XX series

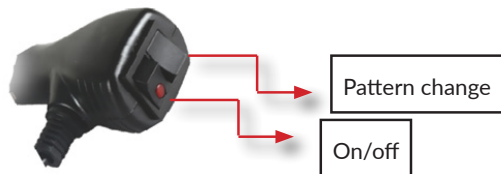
### Merlin low profile LED beacon



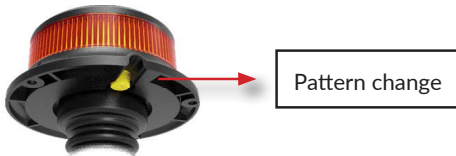
## Specifications



## Images



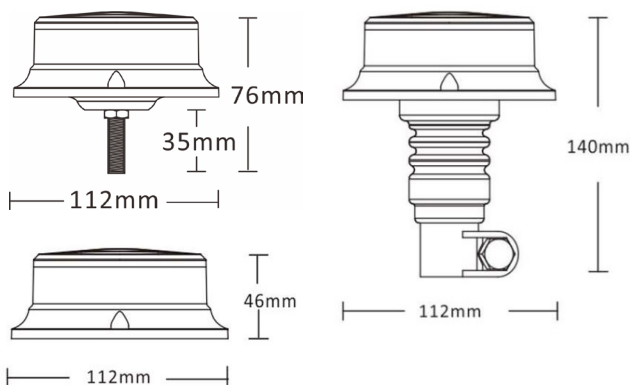
Magnetic mount



Flexi DIN pole mount



## Dimensions



## Materials

<b>Lens:</b>	Polycarbonate
<b>Top cover:</b>	Polycarbonate
<b>Base:</b>	Aluminium
<b>Mounting gasket:</b>	Foam (provided with 3-bolt mount version only)

<b>Functions:</b>	Low profile LED beacon Suitable for external or internal use
<b>LEDs:</b>	18
<b>Lens colours:</b>	Clear when unlit (coloured lenses available to order upon request)
<b>LED colour options:</b>	Amber & blue (green & magenta available to order upon request)
<b>Flash pattern &amp; synchronisation:</b>	7 selectable flash patterns Multiple units can be synchronised to flash simultaneously - up to 15 units
<b>Certifications:</b>	ECE Reg 10 ECE Reg R65 (amber & blue)
<b>Voltage:</b>	Multivoltage: 9-30Vdc
<b>Vibration resistance:</b>	Yes
<b>IP rating:</b>	IP67
<b>Operating temperature:</b>	-30°C to +60°C
<b>Mounting options:</b>	3-bolt mount, magnetic mount, single bolt & flexi DIN pole mount versions available
<b>Wiring:</b>	Red = positive Black = negative Yellow = flash pattern selector White = synchronisation 3-bolt version supplied with 300mm cable terminated in partially-stripped wires
<b>Max current:</b>	01.7A@12V 0.85A @ 24V
<b>Reverse polarity protection:</b>	Yes
<b>Warranty:</b>	3 years

## Part numbers

SL-44611	3 bolt, ECE R65, amber LEDs, clear lens
SL-44613	3 bolt, ECE R65, blue LEDs, clear lens
SL-44621	Magnetic mount, ECE R65, amber LEDs, clear lens
SL-44623	Magnetic mount, ECE R65, blue LEDs, clear lens

SL-44631	Single bolt, ECE R65, amber LEDs, clear lens
SL-44633	Single bolt, ECE R65, blue LEDs, clear lens
SL-44641	Flexi DIN pole, ECE R65, amber LEDs, clear lens
SL-44643	Flexi DIN pole, ECE R65, blue LEDs, clear lens

Green and magenta versions, as well as coloured lens options are available to order upon request