

# DATA SHEET

SL-42511

Skua LED 3-bolt beacon, R65

sentinel  
vehicle lighting

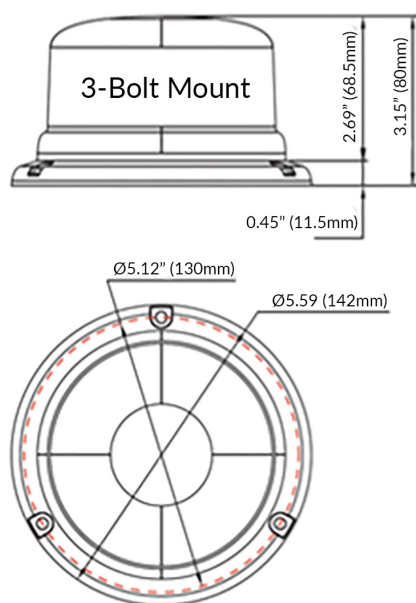
R65

R10

## Images



## Dimensions



## Specifications

<b>Functions:</b>	LED 3-bolt beacon - R65 Low profile
<b>LEDs:</b>	8 x high-power LEDs
<b>Lens colour:</b>	Amber
<b>Flash patterns:</b>	11 flash patterns
<b>Synchronisation:</b>	Up to 4 units can be synchronised to flash simultaneously or alternately
<b>Certifications:</b>	ECE R65 ECE R10 SAE and CA13 certified
<b>Dimensions:</b>	Ø 142 x 80mm
<b>Voltage:</b>	Dual voltage 12/24Vdc
<b>Operating range:</b>	10-32Vdc
<b>IP rating:</b>	IP66
<b>Operating temperature:</b>	-30°C to +65°C
<b>Impact- &amp; UV-resistant lens::</b>	Yes
<b>Mounting:</b>	3-bolt standard mount
<b>Wiring:</b>	40cm long Red = power Black = ground Yellow = synchronisation & flash patterns White = enables alternate flash
<b>Average power:</b>	15W
<b>Maximum power:</b>	30W
<b>Average current draw:</b>	1.2A @ 12.8Vdc / 0.7A @ 24Vdc
<b>Maximum current draw:</b>	2.4A @ 12.8Vdc / 1.3A @ 24Vdc
<b>Reverse polarity protection:</b>	Yes
<b>Warranty:</b>	3 years

## Part number

SL-42511

Skua, LED beacon, 3-bolt

## Materials

<b>Lens:</b>	Impact-and UV-resistant polycarbonate
<b>Base:</b>	Polycarbonate