

# DATA SHEET

SL-42241

Fulmar LED pole mount beacon, R65

sentinel  
vehicle lighting

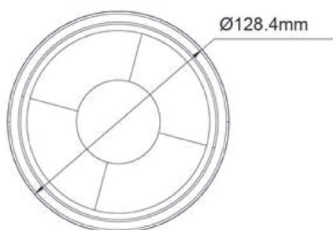
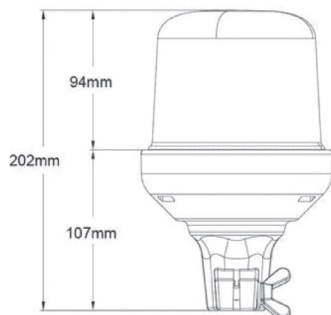
R65

R10

## Images



## Dimensions



## Part number

SL-42241

Fulmar, LED beacon, pole mount

## Specifications

|                               |   |
|-------------------------------|---|
| Functions:                    | LED pole mount beacon - R65   |
| LEDs:                         | 15 x high power LEDs, amber<br>Long life rated to 100,000 hours of operation            |
| Lens colour:                  | Amber   |
| Flash patterns:               | 11 flash patterns   |
| Synchronisation:              | Multiple units can be synchronised to flash simultaneously or alternately               |
| Certifications:               | ECE R65: TA1 E6 000184<br>ECE R10: E6 10R-05 -738                                       |
| Dimensions:                   | Ø 128.4 x 202mm   |
| Voltage:                      | Dual voltage 12/24Vdc   |
| Operating range:              | 10-30Vdc  |
| IP rating:                    | IP66  |
| Operating temperature:        | -30°C to +65°C  |
| Impact- & UV-resistant lens:: | Yes   |
| Mounting:                     | 3-bolt standard mount   |
| Wiring:                       | 40cm long insulated 18AWG with partially stripped ends<br>Red = power<br>Black = ground |
| Average power:                | 11.15W  |
| Maximum power:                | 22.3W   |
| Average current draw:         | 0.93A @ 12.8Vdc / 0.47A @ 24Vd  |
| Maximum current draw:         | 1.86A @ 12.8Vdc / 0.93A @ 24Vdc   |
| Reverse polarity protection:  | Yes   |
| Warranty:                     | 3 years   |

## Materials

|                    |                                       |
|--------------------|---------------------------------------|
| Lens:              | Impact-and UV-resistant polycarbonate |
| Base:              | Polycarbonate                         |
| DIN pole mounting: | TPR                                   |