

DATA SHEET

SL-1091X series

LED corner warning lighthouse - R65

sentinel
vehicle lighting

R65

R10

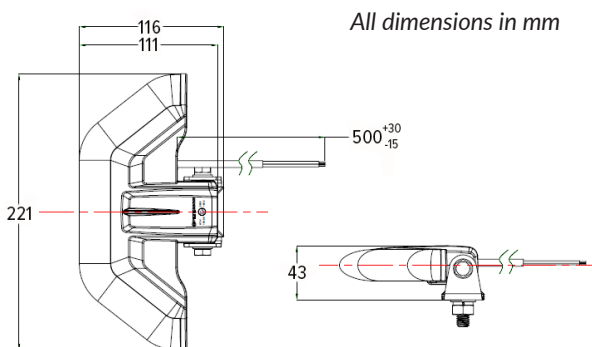
Images



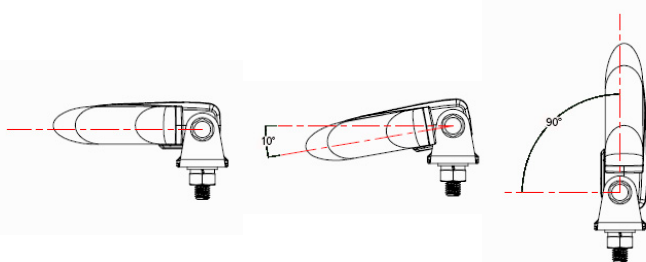
Specifications

- Functions:** LED corner warning lighthouse
Expanded visibility
Low profile
- LEDs:** 3 strips high-power COB LED, amber
Also available in blue, red & green on request
- Lens colour:** Clear lens
Amber available on request
- Light pattern:** 1 unit offers 150° light spread exceeding SAE J845 Class 1
2 units offer 270° coverage approved to ECE R65 HT1 Class 1 (amber), Class 2 (blue)
4 units offer 360° coverage approved to ECE R65 T1 Class 1 (amber), Class 2 (blue)
- Flash pattern:** 12 selectable flash patterns
Multi-unit synchronisation
Multiple units can be set to flash simultaneously
- Certifications:** ECE R10 E9 10R06/01 16612 06
ECE R65 E9 65R00/10 6668 00
- Voltage:** Multi-voltage 12/24Vdc
- IP rating:** IP67
- Operating temperature:** -40°C to +65°C
- Mounting:** U-bracket with stainless steel hardware
- Wiring:** Black = ground - 50cm (20AWG)
Red = positive - 50cm (20AWG)
Yellow = flash pattern & sync - 50cm (20AWG)
(version terminated with an AMP connector also available, which is pre-set to R65 & non-programmable)
- Power rating:** Average = 15.5W (varies with flash pattern)
Maximum = 31W
- Current draw:** Average = 1.29A @ 12Vdc / 0.65A @ 24Vdc (varies with flash pattern)
Maximum = 2.58A @ 12Vdc / 1.29A @ 24Vdc
- Reverse polarity protection:** Yes
- Warranty:** 3 years

Dimensions



Installation adjustable angle



Materials

- Lens:** Polycarbonate
- Base:** Polycarbonate
- Mounting bracket:** Powder coated steel

Part numbers

SL-10911	LED corner warning lighthouse, ECE R65, amber LEDs, clear lens
SL-10911-AMP	LED corner warning lighthouse, ECE R65, amber LEDs, clear lens + AMP connector (non-programmable, pre-set to R65)

Other colours are available to order upon request

DATA SHEET

SL-1091X series

LED corner warning lighthouse- R65

sentinel
vehicle lighting

R65

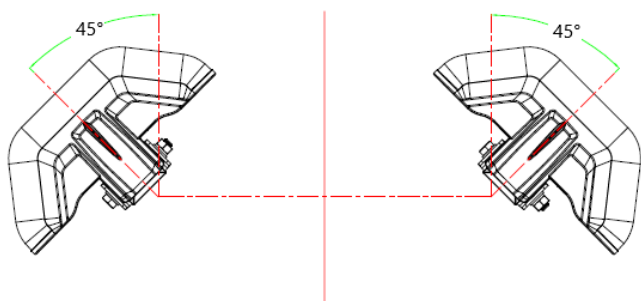
R10



Approved mounting positions

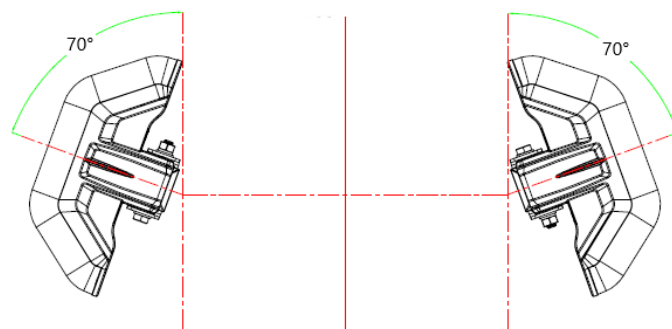
Category HT
270° warning coverage
(One pair of lights at the front or rear of vehicle)

Distance between lighthoods: max 10m



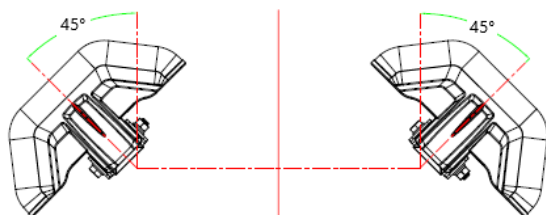
Vehicle central axis

Distance between lighthoods: max. 3m

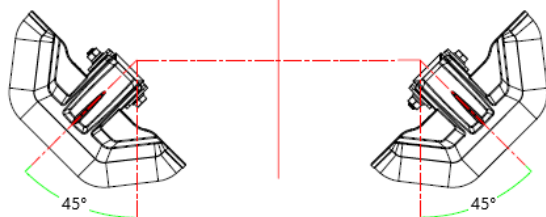


Vehicle central axis

Distance between lighthoods: max 10m



Vehicle central axis



Category T
360° warning coverage
(Four units mounted on vehicle)