

# DATA SHEET

## SL-107XX Range

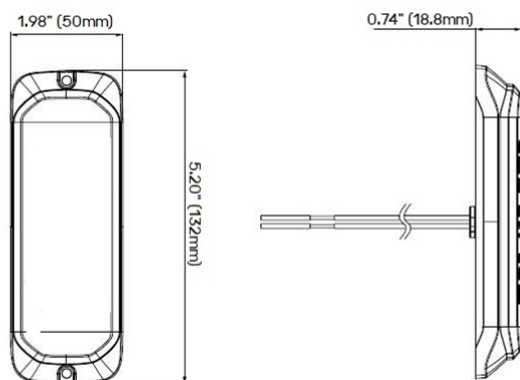
Combination R65 LED directional & marker light



### Images



### Dimensions



### Part numbers

SL-10711	LED directional R65 amber + side marker light amber
SL-10721	LED directional R65 amber + rear position light red
SL-10722	LED directional red + rear position light red
SL-10741	LED directional R65 amber + front position light white
SL-10758	White bezel
SL-10759	Chrome bezel

Blue (ECE R65) and white colours available by special order

### Specifications

<b>Functions:</b>	Combined R65 flashing amber LED warning light, and outer ECE marker/position light Space saving dual function capability offers ease of installation & simpler harness layout
<b>LEDs:</b>	6 high-power diodes
<b>Variants:</b>	Amber side marker and red or white position light variants Blue (ECE R65) and white colours available by special order
<b>Certifications:</b>	ECE Reg 10-05 ECE Reg 65 (amber) ECE Reg 91 (side marker) ECE Reg 7 (front/rear/position light)
<b>Voltage:</b>	Multivoltage 10-30Vdc
<b>IP rating:</b>	IP68
<b>Operating temperature:</b>	-30°C to +65°C
<b>Mounting:</b>	Surface mount
<b>Wiring:</b>	Co-extruded 4-core cable, 25cm long, insulated wires 20AWG Red = LED directional light power White = side marker/position light power Black = ground Yellow = synchronisation & flash patterns
<b>Flash patterns &amp; synchronisation:</b>	14 selectable flash patterns Multiple units can be synchronised to flash simultaneously or alternately
<b>Power rating:</b>	Avg. power: 9W Max. power: 18W
<b>Current draw:</b>	Avg. current draw: 0.675A @ 12Vdc / 0.375A @ 24Vdc Max. current draw: 1.35A @ 12Vdc / 0.75A @ 24Vdc
<b>Recommended fuse:</b>	2A
<b>Reverse polarity protection:</b>	Yes
<b>Warranty:</b>	3 years

### Materials

<b>Lens:</b>	Polycarbonate
<b>Housing:</b>	Aluminum base/housing, black E-coat finish