

DATA SHEET

sentinel
vehicle lighting

SL-10426

R65 directional warning light, amber, vertical mount

R65

R10

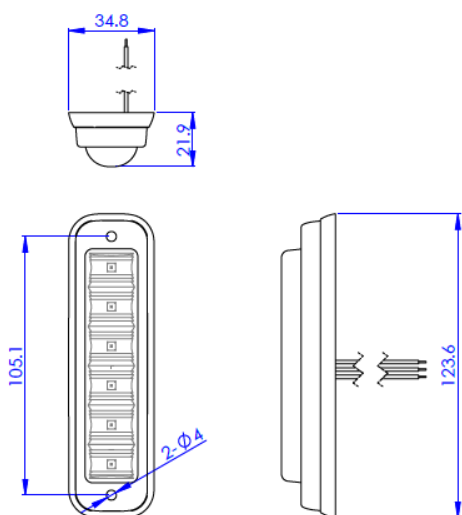
Images



Specifications

Functions:	LED directional warning light Easy installation
LEDs:	6 x high power diodes
LED colour:	Amber
Flash pattern:	Double flash pattern Multiple units can be synchronised
Certifications:	ECE Reg 65: E4 XA1-006697 for vertical mounting ECE Reg 10: E4 10R-05 4151
Voltage:	Multivoltage 10-30Vdc
IP rating:	IP67
Operating temperature:	-30°C to +50°C
Mounting:	Surface mount, vertical
Wiring:	20cm 3-core cable 20AWG, partially stripped wires Red = power Black = ground Yellow = synchronising
Power rating:	9W
Current draw:	0.56A @ 12.8Vdc / 0.32A @ 25.6Vdc
Reverse polarity protection:	Yes
Warranty:	3 years

Dimensions



dimensions shown in mm

Materials

Lens:	Polycarbonate
Base:	Aluminium, black ED coated
Bezel:	Polycarbonate
Grommet:	EDPM

Part number

SL-10426

R65 LED directional, amber, vertical mount