

DATA SHEET

SL-10099

Rechargeable magnetic work light

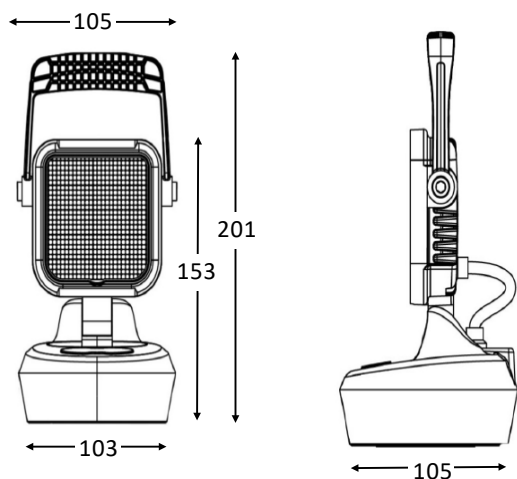
Images



Specifications

Functions:	Heavy duty, rechargeable magnetic LED work light
LEDs:	9 x 1W LEDs (white and amber)
Output:	850 lumens
Light pattern:	Wide flood beam
Voltage:	12/24Vdc
Operating modes:	100% intensity white 50% intensity white SOS flash amber Flash white
Mounting:	Magnetic base with carry handle
Cables:	Supplied with in-car charger and AC charging cable UK 3-pin or European 2-pin plug available
Current:	12V = 1 Amp 24V = .5 Amp
Battery life:	4 hours discharge 4 hours recharge
Warranty:	2 years

Dimensions



Materials

Outer lens:	Polycarbonate
Housing:	ABS plastic housing Magnetic base plate
Fixings:	Stainless steel

Part numbers

SL-10099	Rechargeable magnetic work light, UK 3-pin plug
SL-10099- EU	Rechargeable magnetic work light, European 2-pin plug