

# DATA SHEET

SL-1003X series

Evader LED directional warning light

sentinel  
vehicle lighting

R65

R10

## Images



## Specifications

**Functions:** Evader LED directional warning light

**LEDs:** 4 x 1W LEDs - amber or blue

**Lens colour:** Clear

**Flash patterns:** 5 selectable flash patterns

**Synchronisation:** Multiple units can be synchronised to flash simultaneously or alternately

**Certifications:** ECE R65: E6 XA1 000108 (amber)  
ECE R10: 10R05 E6 0605

**Voltage:** Multi-voltage 11-30Vdc

**IP rating:** IP67

**Operating temperature:** -30°C to +65°C

**Mounting:** Single bolt bracket mount with horizontal and vertical adjustment  
Alternative surface mount capability

**Wiring:** 120cm long co-extruded cable  
Red = power  
Black = ground  
Yellow = synchronisation & flash patterns  
White = steady burn

**Average power:** 3.5W (varies with flash pattern)

**Maximum power:** 7W

**Average current draw:** 0.27A @ 12.8Vdc / 0.13A @ 24Vdc  
(varies with flash pattern)

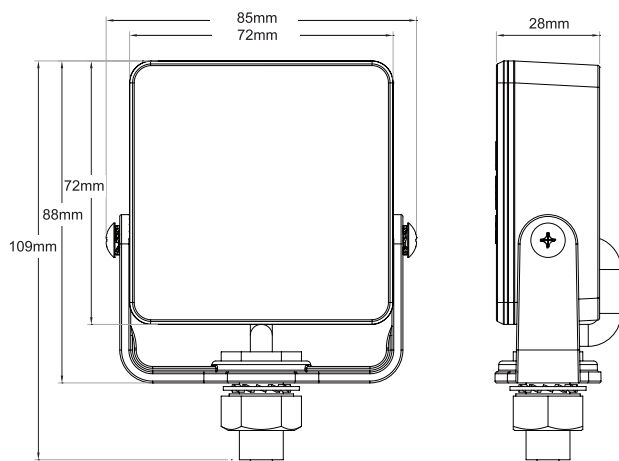
**Maximum current draw:** 0.55A @ 12Vdc / 0.26A @ 24Vdc

**Recommended fuse:** 3A

**Reverse polarity protection:** Yes

**Warranty:** 3 years

## Dimensions



## Part numbers

|          |                                |
|----------|--------------------------------|
| SL-10031 | Evader LED directional - amber |
| SL-10033 | Evader LED directional - blue  |

## Materials

**Lens:** Polycarbonate

**Base:** Aluminium die cast housing, black E-coat finish

**Bracket:** ABS; stainless steel hardware