

# DATA SHEET

SL-09047

24W LED work light with integral DT connector



## Images

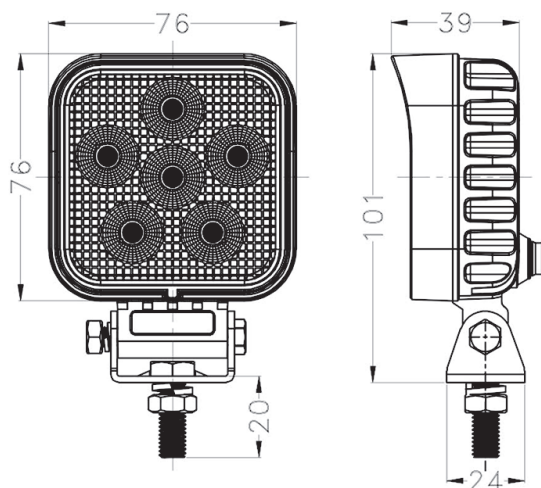


## Specifications

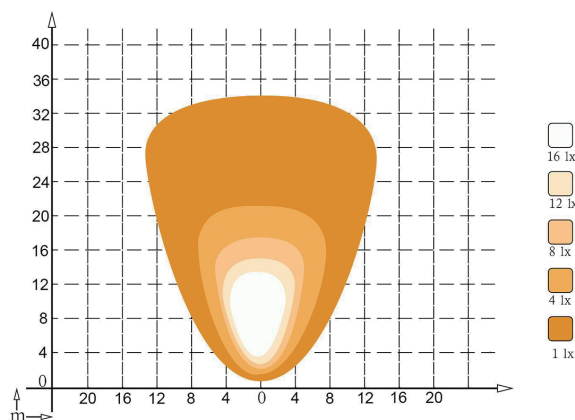
- Functions:** LED work light with integral Deutsch connector
- LEDs:** 24 x 1W Osram LEDs
- Output:** 1920 lumens
- Lens colour:** Clear
- Light pattern:** Flood
- Certifications:** ECE R10
- Voltage:** 9-32Vdc
- IP rating:** IP68
- Operating temperature:** -45°C to +85°C
- Wiring:** SL-09047-1 is supplied with mating DT plug and cable.  
SL-09047-2 is for mating with customer's own DT plug terminated harness
- Reverse polarity protection:** Yes
- Warranty:** 3 years



## Dimensions



## LED-flood



## Part numbers

SL-09047-1	24W LED work light with integral DT connector and mating DT plug & cable
SL-09047-2	24W LED work light with integral DT connector



## Materials

- Lens:** Polycarbonate
- Housing:** Aluminium, black E-coat finish