

# DATA SHEET

SL-09046

LED work light

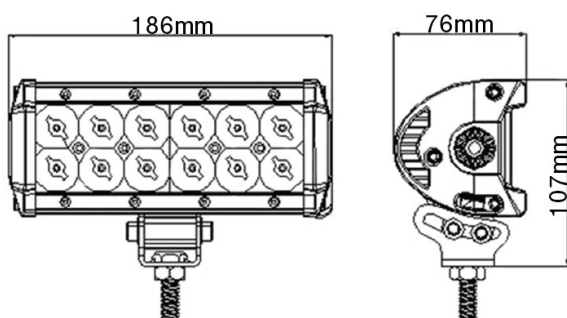
sentinel  
vehicle lighting

R10

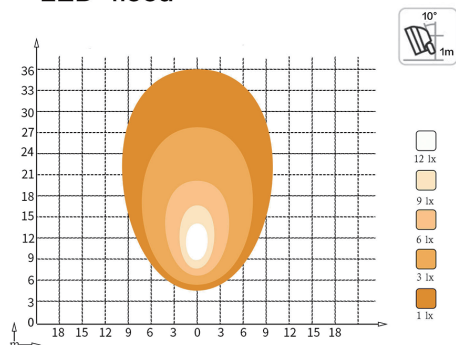
## Images



## Dimensions



## LED-flood



## Specifications

Functions:	LED work light
LEDs:	12 x Cree XBD diodes
Output:	2700 lumens
Lens colour:	Clear
Light pattern:	Flood
Certifications:	ECE R10
Voltage:	Multi-voltage 9-32Vdc
IP rating:	IP68
Operating temperature:	-45°C to +85°C
Vibration resistance:	30G
Cable:	410mm with partially stripped wires
Wiring:	Red = positive Black = negative
Power rating:	36W
Average current draw:	3.0A @ 12V 1.5A @ 24V
Reverse polarity protection:	Yes
Warranty:	3 years

## Materials

Housing:	Aluminium alloy
Lens:	Polycarbonate
Bracket & mounting hardware:	Stainless steel

## Part number

SL-09046

LED work light - flood beam